

SENCITY® Omni-SR Dome Antenna

1399.17.0106

Properties

- Compact Omnidirectional in-carriage antenna for all Wi-Fi 6E bands (2.4 GHz / 5GHz / 6 GHz)
- Rugged design, meets EN 50155 Railway Standard and IP65 rating
- Fire retardant according to EN 45545-2 and NFPA130
- Protection against lightning
- Integrated N female interface



Electrical bands				
	Band 1	Band 2	Band 3	Band 4
Frequency (MHz)	2400 MHz ... 2500 MHz	2500 MHz ... 2700 MHz	3400 MHz ... 3800 MHz	4900 MHz ... 5925 MHz
Impedance	50 Ω	50 Ω	50 Ω	50 Ω
VSWR	1.8	2	2	1.8
Gain (dBi)	6 dBi	6 dBi	6 dBi	8 dBi
Halfp Beamwidth horizontal	360 °	360 °	360 °	150 °
Ambient Temperature	25 °C	25 °C	25 °C	25 °C
Composite Power max	350 W	350 W	300 W	300 W

	Band 5
Frequency (MHz)	5925 MHz ... 7125 MHz
Impedance	50 Ω
VSWR	1.9
Gain (dBi)	8 dBi
Halfp Beamwidth horizontal	170 °
Ambient Temperature	25 °C
Composite Power max	300 W

Electrical remarks	
Remarks	Note that all VSWR values are guaranteed without metallic ground plane.

SENCITY® Omni-SR Dome Antenna

1399.17.0106

Ports	
	Port 1
Connector	N, jack (female)
Polarization	vertical
DC grounded	Yes

Connections	
	Port 1
Port number	Port 1
Band 1	✓
Band 2	✓
Band 3	✓
Band 4	✓
Band 5	✓

Mechanical data	
Weight	0.3 kg
Dimensions	43 mm x 86 mm (Height x Diameter)
Remarks	Grounding Designed acc. to UIC 533, DC-grounded antenna element Corrosion Low corrosion design acc. to MIL-F-14072(E)

Material data	
Radome material	PC (Polycarbonate)
Radome colour	RAL 7035 (light-grey)
Back plate/base plate material	Aluminium

Environmental data	
Operation temperature	-40 °C ... 80°C
Storage temperature	-40 °C ... 80°C
Transport temperature	-40 °C ... 80°C
Environment (application)	Indoor
Ingress protection (IP Rating)	IP65
Flammability rating	DIN 5510
Standards	Railway EN 45545
	Railway EN 50155
	Railway NFPA130

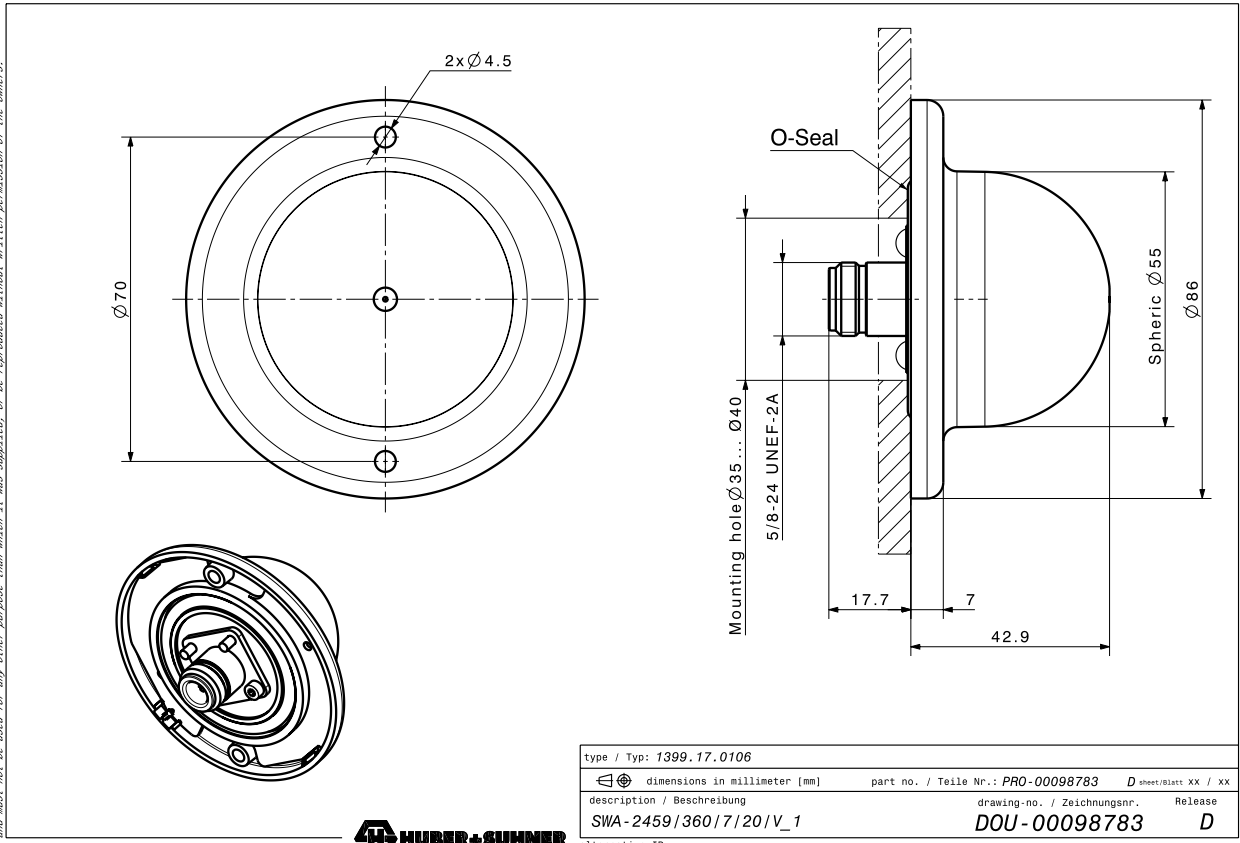
Environmental remarks
Environmental tests EN 50155:2004 Flammability rating: DIN 5510-2, BS 6853, EN 45545-2, NFPA130

SENCITY® Omni-SR Dome Antenna

1399.17.0106

Outline drawing

Diese Zeichnung ist unser geistiges Eigentum und darf ohne unsere Einwilligung weder kopiert, reproduziert, noch druckvervielfältigt oder in irgendeiner Weise veröffentlicht werden. (Art. 12 i. d. V. G.)
 This drawing is our intellectual property and may not be reproduced, copied, or otherwise published without our written permission. (Art. 12 i. d. V. G.)
 This drawing is our intellectual property and may not be reproduced without written permission of the authors.



type / Typ: 1399.17.0106		
dimensions in millimeter [mm]	part no. / Teile Nr.: PRO-00098783	D sheet/statt: XX / xx
description / Beschreibung		drawing-no. / Zeichnungsnr. Release
SWA-2459/360/7/20/V_1		DOU-00098783 D
alternative ID:		

HUBER+SUHNER is certified by ISO 9001, ISO 14001, ISO 45001, IATF 16949, AS/EN 9100 and ISO/TS 22163-IRIS. Waiver: Facts and figures herein are for information only and do not represent any warranty of any kind. DOCUMENT PIM-P3270 / Date of publication: 31.10.2023 / uncontrolled copy